



GAI-TRONICS® CORPORATION
A HUBBELL COMPANY

Model XCP0300A Navigator Upgrade Kit

Field Installation Kit Instructions

Confidentiality Notice

This manual is provided solely as an operational, installation, and maintenance guide and contains sensitive business and technical information that is confidential and proprietary to GAI-Tronics. GAI-Tronics retains all intellectual property and other rights in or to the information contained herein, and such information may only be used in connection with the operation of your GAI-Tronics product or system. This manual may not be disclosed in any form, in whole or in part, directly or indirectly, to any third party.

General Information

The Model XCP0300A Upgrade Kit for the ICP9000 Navigator consoles includes the firmware and software necessary for upgrading to the current production features and functionality. This kit is intended only for use in the ICP9000 Navigator Series MCU. It includes the following components:

Qty	Description
1	Master EPROM chip
1	Host EPROM chip
3	Slave EPROM chips
1	Navigator Software CD
1	Programming Bundle CD (includes CARD Suite Software)
1	Navigator Installation/Service Manual

Installation



Warning: Observe precautions for handling electrostatic sensitive devices.

ICP9000 Navigator Series MCU

1. Disconnect power from the ICP9000 Navigator Series MCU and remove all attached cables from the rear panel.
2. Remove the 10 screws securing the side cover panel and gently lift the cover off. See Figure 1.
3. On each slave PCBA (CP-CSD) locate U502 EPROM socket and extract the EPROM.
4. Replace them with the Slave EPROM (SLAV**) provided in this kit, taking care to observe the direction indicated on the socket of the EPROM. Ensure that the chip is properly seated in the socket.
5. Disconnect the ribbon cables (SLV-CBL-M) attached to the Main PCBA.
6. Remove the 4 screws holding the inner PCBA mounting plate to the main enclosure.
7. Disconnect the (SLV-CBL-P) cables from the surge suppression PCBAs. This allows you to remove the inner PCBA mounting plate to gain access to the main PCBA. Refer to Figure 1.

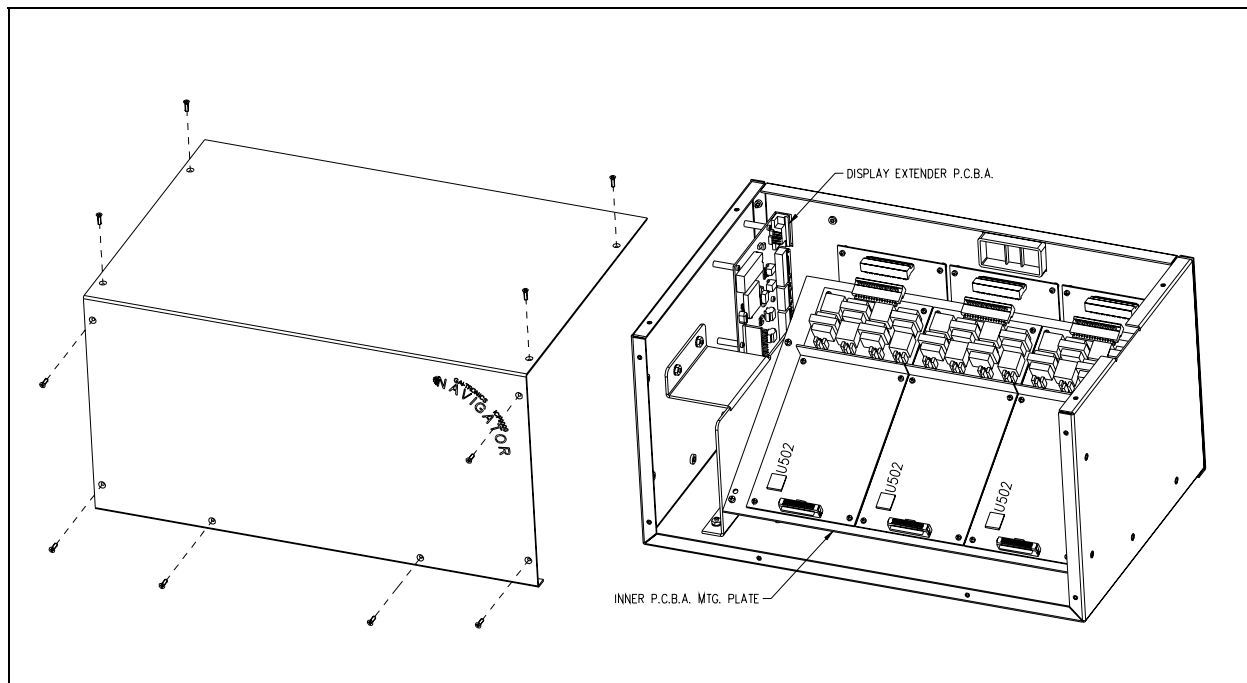


Figure 1.

8. On the main PCBA locate U2 EPROM socket and extract the EPROM. Refer to Figure 2.
9. Replace it with the Master EPROM (MAST**) provided in this kit taking care to observe the direction indicated on the socket of the EPROM. Ensure that the chip is properly seated in the socket.
10. Next locate U102 EPROM socket and extract the EPROM.
11. Replace it with the Host EPROM (HNAV**) provided in this kit, taking care to observe the direction indicated on the socket of the EPROM. Ensure that the chip is properly seated in the socket.

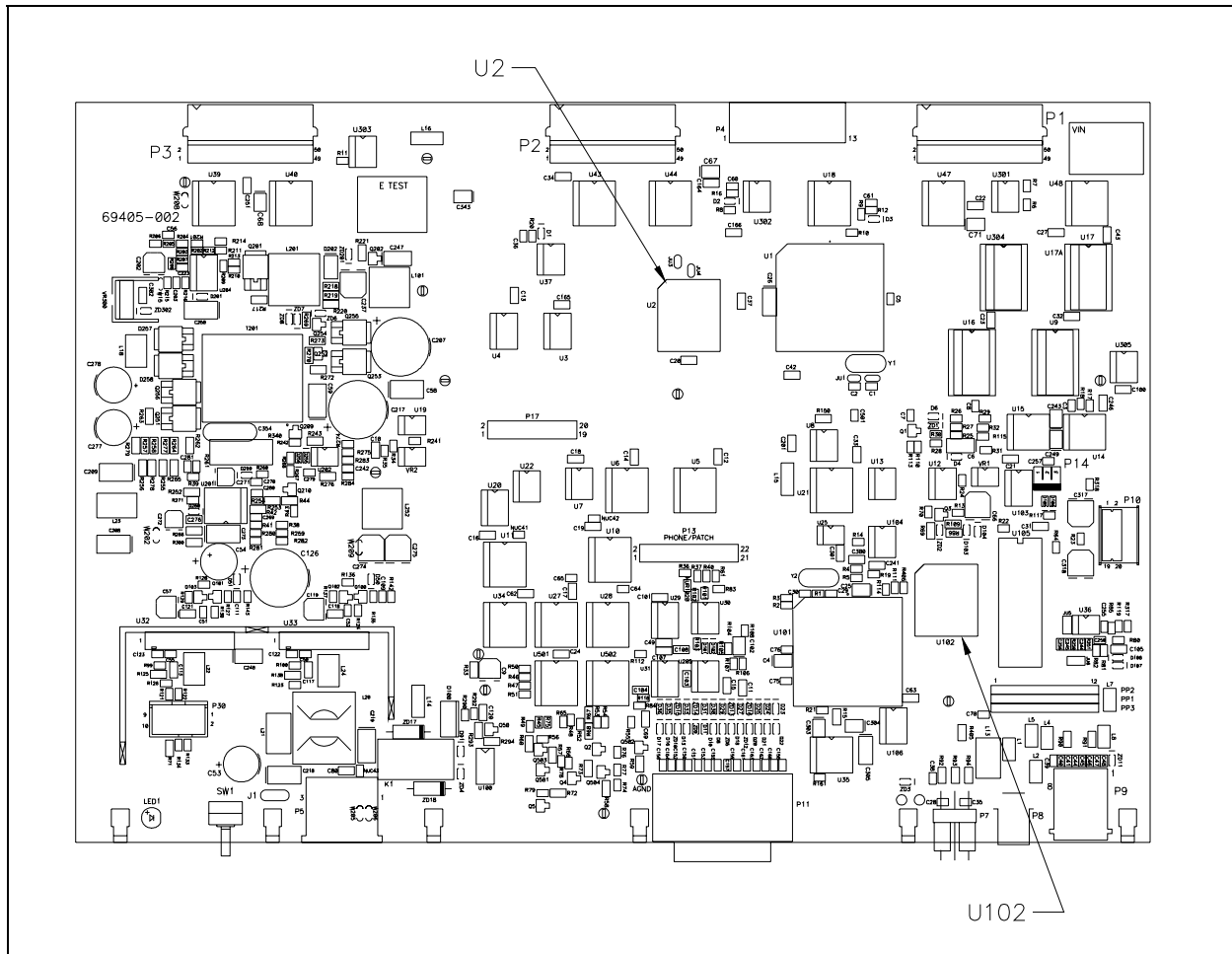


Figure 2. Main (69405-002) PCBA

12. Turn the MCU enclosure on its side so that the ICP9000 display extender PCBA (69509-001) is sitting up right. On display extender PCBA locate U4 EPROM socket and extract the EPROM.
13. Replace it with the Navigator EPROM (49072-***) provided in this kit taking care to observe the direction indicated on the socket of the EPROM. Ensure that the chip is properly seated in the socket.
14. After replacing the EPROMs, you can reassemble the desktop console by reversing the disassembly procedure. Verify that all of the cables have been reconnected back to their respective connectors as you proceed through the steps.